

69MR500-PhP-4

Professional Midrange Driver



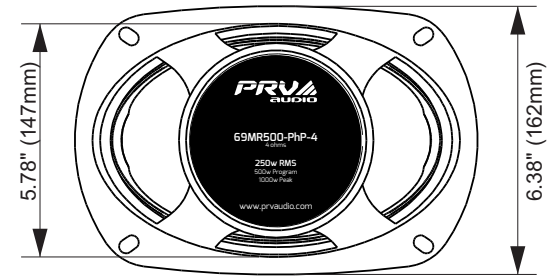
KEY FEATURES

- 1.5" Voice coil
- 500 Watts continuous power handling
- 97 dB Sensitivity
- 500 - 12,000 Hz



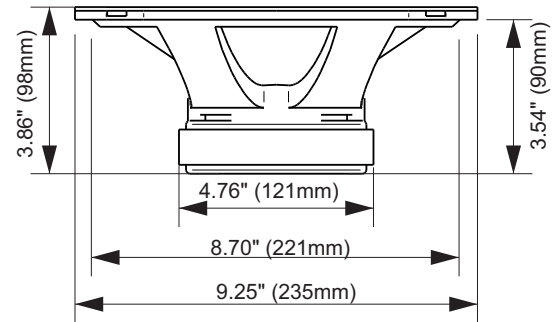
GENERAL SPECIFICATIONS

Nominal Diameter	6 x 9" (152 x 228 mm)
Nominal impedance	4 ohms
Rated Power Handling	250 Watts
Program Power	500 Watts
Sensitivity 2.00V at 1m	97 dB
Recommended Hi Pass Crossover*	500 Hz*
<small>*For Full Power Handling</small>	<small>*12db Per Octave Crossover</small>
Frequency Response at -10dB	500 - 12,000 Hz
Voice Coil Diameter	1.5" (38 mm)
Voice Coil Wire	Cooper
Voice Coil Winding Depth	8.5 mm
Former Material	Kapton
Magnetic Gap Depth	5.5 mm
Frame Material	Die cast aluminum



THIELE-SMALL PARAMETERS

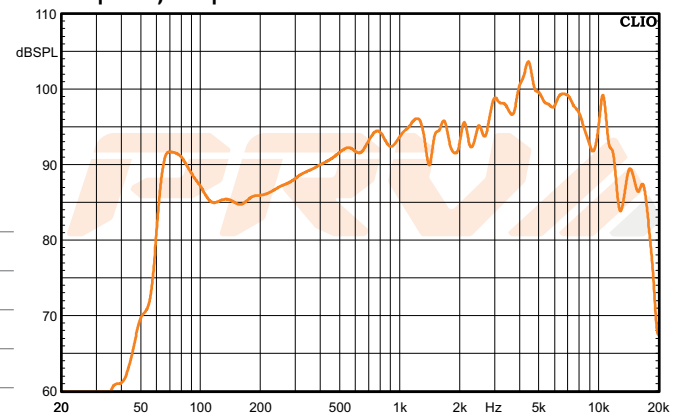
Equivalent Volume	Vas	15.16 l
Excursion (mathematical)***	Xmax	2.87 mm
Free Air Resonance	Fs	91.74 Hz
Mechanical Factor	Qms	14.20
Electrical Factor	Qes	0.68
Total Factor	Qts	0.65
Cone Area	Sd	231 cm ²
Mechanical Mass	Mms	14.76 g
Bl Factor	BL	6.8 Tm
Dc Resistance	Re	3.7 Ohms
Inductance	Le	0.14 mH at 1 kHz
Mechanical Mass Without Air	Mmd	12.78 g
Mechanical Compliance	Cms	0.204 mm/N



EXTRA INFO

Overall Diameter	6.38 x 9.25" (162 x 235 mm)
Front Mount Baffle Cutout	5.78 x 8.70" (147 x 221 mm)
Mounting Depth	3.54" (90 mm)
Overall Depth	3.86" (98 mm)
Net Weight	5.35 Lbs (2.45 kg)
Shipping Weight	6 Lbs (2.75 kg)
Carton Dimensions W x L x H	8.26" x 11.378" x 5.75" (210 x 289 x 146mm)

Frequency Response Measured at 2.00V/1m



PRV AUDIO USA (USA and Export) PRV AUDIO BRAZIL (Brazilian Sales Only)
 FORT LAUDERDALE, FL SAO LEOPOLDO, RS
 support@prvaudio.com vendas@pvaudio.com.br
 www.prvaudio.com www.pvaudio.com.br

***Xmax=(Voice coil winding depth-Magnetic Gap depth)/2+ Mgnetic Gap Depth/4