

# 69FR250-4

## Professional Full Range Driver



### KEY FEATURES

- 125 Watts continuous power handling
- 94 dB Sensitivity
- 75 - 18,000 Hz of frequency response



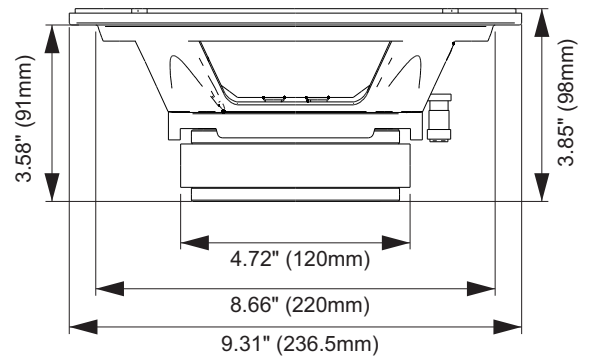
### GENERAL SPECIFICATIONS

Nominal Diameter	6" x 9" (159 x 228 mm)
Nominal impedance	4 Ohms
<b>Rated Power Handling</b>	<b>125 Watts</b>
Program Power	250 Watts
<b>Sensitivity 2.00 V at 1m</b>	<b>94.0 dB</b>
Recommended Hi Pass Crossover*	80 Hz*
<small>*For Full Power Handling</small>	<small>*12db Per Octave Crossover</small>
<b>Frequency Response at -10dB</b>	<b>75 - 18,000 Hz</b>
Voice Coil Diameter	1.5" (38 mm)
Voice Coil Wire	CCAW
Voice Coil Winding Depth	10.0 mm
Former Material	Kapton
Magnetic Gap Depth	6.0 mm
Frame Material	Aluminum



### THIELE-SMALL PARAMETERS

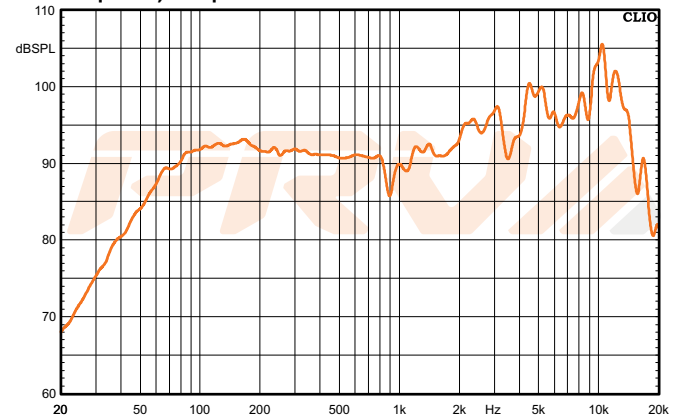
Equivalent Volume	Vas	13.9 l
Excursion	Xmax	3.50 mm
Free Air Resonance	Fs	82.12 Hz
Mechanical Factor	Qms	15.28
Electrical Factor	Qes	0.74
Total Factor	Qts	0.70
Cone Area	Sd	200 cm <sup>2</sup>
Mechanical Mass	Mms	15.1 g
Bl Factor	Bl	6.1Tm
Dc Resistance	Re	3.5 Ohms
Inductance	Le	0.160mH at 1 kHz
Mechanical Mass Without Air	Mmd	13.48 g
Mechanical Compliance	Cms	0.18 mm/N



### EXTRA INFO

Overall Diameter	6.43"x9.31" (163.5x236.5mm)
Front Mount Baffle Cutout	5.87"x8.66" (149x220 mm)
Mounting Depth	3.58" (91 mm)
Overall Depth	3.85" (98 mm)
Net Weight	5.29 Lbs (2.4 kg)
Shipping Weight	6.28 Lbs (2.85 kg)
Carton Dimensions W x L x H	9.64" x 6.69" x 4.33". (245 x 170 x 110 mm)

Frequency Response Measured at 2.00 V/1m



PRV AUDIO USA (USA and Export) PRV AUDIO BRAZIL (Brazilian Sales Only)  
 POMPANO BEACH, FL SAO LEOPOLDO, RS  
 support@prvaudio.com vendas@pvaudio.com.br  
 www.prvaudio.com www.pvaudio.com.br

\*\*Xmax=(Voice coil winding depth-Magnetic Gap depth)/2+ Magnetic Gap Depth/4

\*\*\* T-S parameters measured after 2 hours at 1/2 Rated power, pink noise preconditioning test