

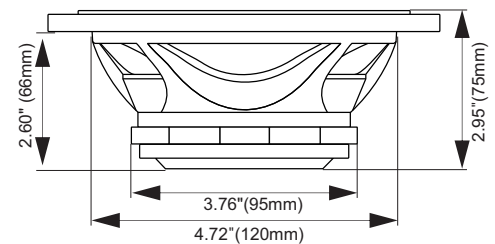
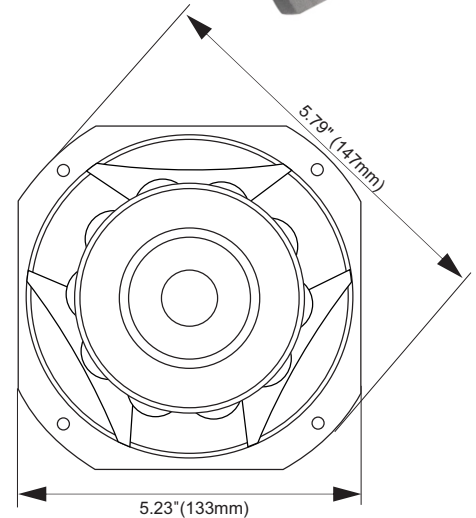
5MR450-NDY

Professional Midrange Driver

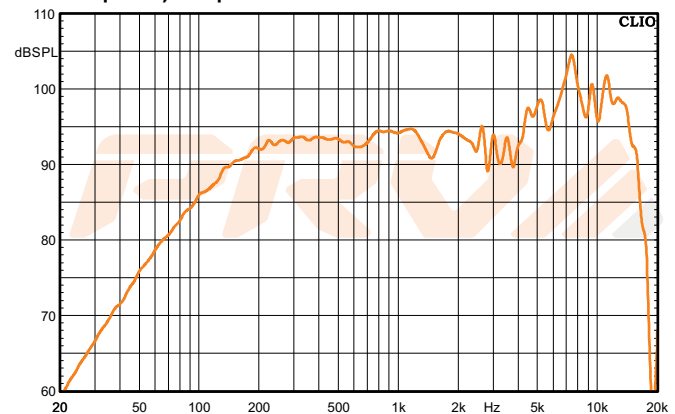


KEY FEATURES

- 160-16,000 Hz
- Suitable for line array applications.
- Lightweight high efficient neodymium slug assembly
- Die cast aluminum basket



Frequency Response Measured at 2.83v/1m



GENERAL SPECIFICATIONS

Nominal Diameter	5" (127 mm)
Nominal impedance	8 Ohm
Rated Power Handling	225 Watts
Program Power	450 Watts
Sensitivity 2.83V at 1m	94 dB
Recommended Hi Pass Crossover*	290 Hz*
<small>*For Full Power Handling</small>	<small>*12db Per Octave Crossover</small>
Frequency Response	160 - 16,000 Hz
Voice Coil Diameter	1.5" (38.1 mm)
Voice Coil Wire	Copper
Voice Coil Winding Depth	9.8 mm
Former Material	Kapton
Magnetic Gap Depth	5.8 mm
Frame Material	Die Cast Aluminum

THIELE-SMALL PARAMETERS

Equivalent Volume	Vas	1.47 l
Excursion (mathematical)***	Xmax	3.45 mm
Free Air Resonance	Fs	159.0 Hz
Mechanical Factor	Qms	22.26
Electrical Factor	Qes	0.66
Total Factor	Qts	0.64
Cone Area	Sd	95 cm ²
Mechanical Mass	Mms	8.60 g
Bl Factor	BL	9.42 Tm
Dc Resistance	Re	6.9 Ohms
Inductance	Le	0.03 mH at 1 kHz
Mechanical Mass Without Air	Mmd	8.07 g
Mechanical Compliance	Cms	0.116 mm/N

EXTRA INFO

Overall Diameter	5.79" (147 mm)
Front Mount Baffle Cutout	4.72" (120 mm)
Mounting Depth	2.60" (66 mm)
Overall Depth	2.95" (75 mm)
Net Weight	2.65 Lbs (1.2 kg)
Shipping Weight	2.85 Lbs (1.3 kg)
Carton Dimensions W x L x H	6.1" x 6.1 x 3.7" (155 x 155 x 95mm)

***Xmax=(Voice coil winding depth-Magnetic Gap depth)/2+ Mgnetic Gap Depth/4

PRV AUDIO USA (USA and Export)
FORT LAUDERDALE, FL
support@prvaudio.com
www.prvaudio.com