

# 5MR450-NDY-4

Professional Midrange Driver



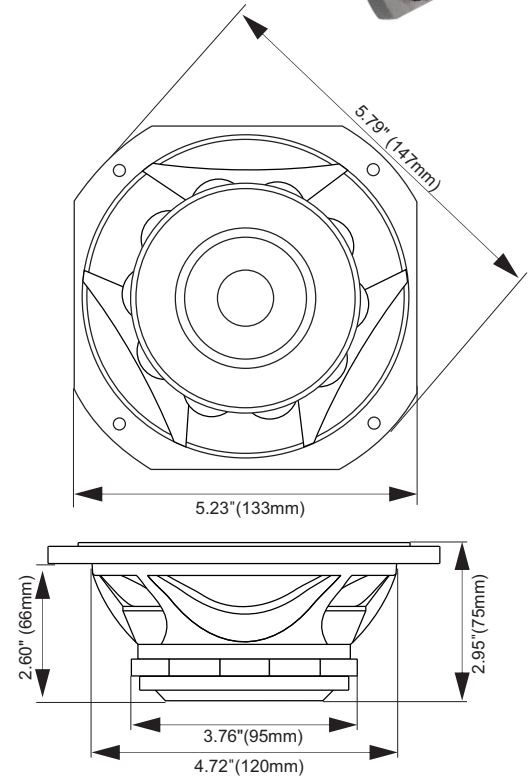
## KEY FEATURES

- 160-16,000 kHz
- Suitable for line array applications.
- Lightweight high efficient neodymium slug assembly
- Die cast aluminum basket



## GENERAL SPECIFICATIONS

Nominal Diameter	5" (127 mm)
Nominal impedance	4 Ohm
<b>Rated Power Handling</b>	<b>225 Watts</b>
Program Power	450 Watts
<b>Sensitivity 2.00V at 1m</b>	<b>94 dB</b>
Recommended Hi Pass Crossover*	290 Hz*
<small>*For Full Power Handling</small>	<small>*12db Per Octave Crossover</small>
<b>Frequency Response at -10dB</b>	<b>160- 16,000 Hz</b>
Voice Coil Diameter	1.5" (38.1 mm)
Voice Coil Wire	CCAW
Voice Coil Winding Depth	9.5 mm
Former Material	Kapton
Magnetic Gap Depth	5.8 mm
Frame Material	Die Cast Aluminum



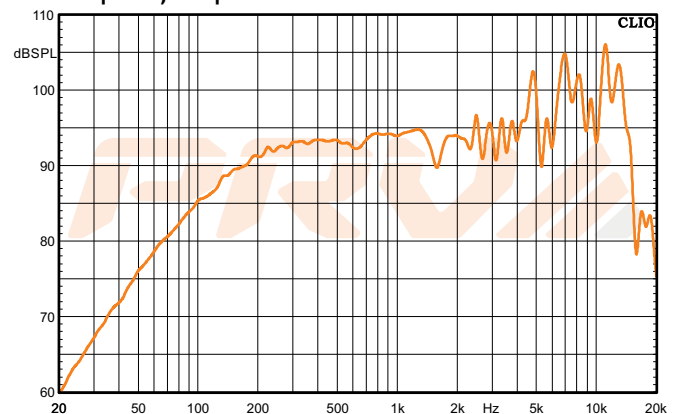
## THIELE-SMALL PARAMETERS

Equivalent Volume	Vas	1.56 l
Excursion (mathematical)***	Xmax	3.30 mm
Free Air Resonance	Fs	149.5 Hz
Mechanical Factor	Qms	20.74
Electrical Factor	Qes	0.50
Total Factor	Qts	0.49
Cone Area	Sd	95 cm <sup>2</sup>
Mechanical Mass	Mms	9.14 g
Bl Factor	BL	7.94 Tm
Dc Resistance	Re	3.7 Ohms
Inductance	Le	0.02 mH at 1 kHz
Mechanical Mass Without Air	Mmd	8.62 g
Mechanical Compliance	Cms	0.123 mm/N

## EXTRA INFO

Overall Diameter	5.79" (147 mm)
Front Mount Baffle Cutout	4.72" (120 mm)
Mounting Depth	2.60" (66 mm)
Overall Depth	2.95" (75 mm)
Net Weight	2.65 Lbs (1.2 kg)
Shipping Weight	2.85 Lbs (1.3 kg)
Carton Dimensions W x L x H	6.1" x 6.1 x 3.7" (155 x 155 x 95mm)

Frequency Response Measured at 2.00V/1m



\*\*\*Xmax=(Voice coil winding depth-Magnetic Gap depth)/2+ Mgnetic Gap Depth/4

PRV AUDIO USA (USA and Export)  
FORT LAUDERDALE, FL  
support@prvaudio.com  
www.prvaudio.com