

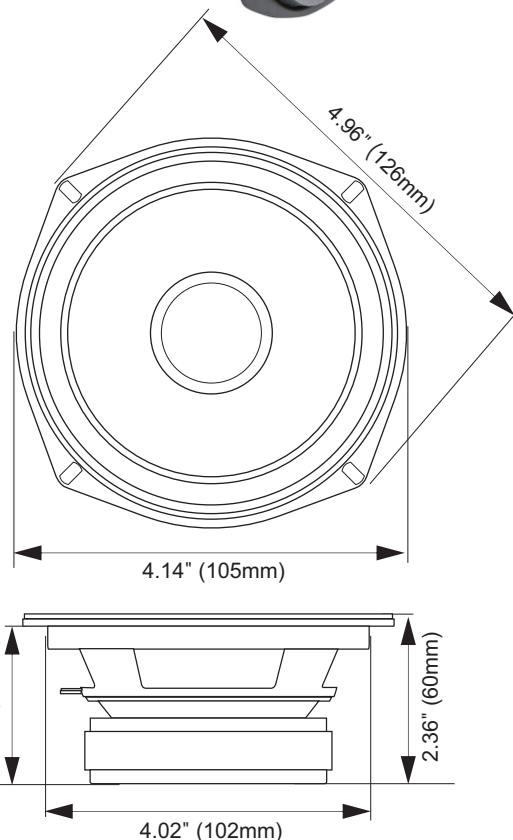
# 4MR60-4

## Professional Midrange Driver



### KEY FEATURES

- 0.78" Voice coil
- 30 Watts continuous power handling
- 90 dB Sensitivity
- 90-15,000 Hz
- Fiber Glass cone and rubber surround



### GENERAL SPECIFICATIONS

Nominal Diameter	4" (101.6 mm)
Nominal impedance	4 ohms
<b>Rated Power Handling</b>	<b>30 Watts</b>
Program Power	60 Watts
<b>Sensitivity 2.00V at 1m</b>	<b>90 dB</b>
Recommended Hi Pass Crossover*	190 Hz**
<small>*For Full Power Handling</small>	<small>**12db Per Octave Crossover</small>
<b>Frequency Response at -10dB</b>	<b>90- 15,000 Hz</b>
Voice Coil Diameter	0.78" (20 mm)
Voice Coil Wire	CCAW
Voice Coil Winding Depth	7.5 mm
Former Material	Kapton®
Magnetic Gap Depth	3.5 mm
Frame Material	Stamped Steel

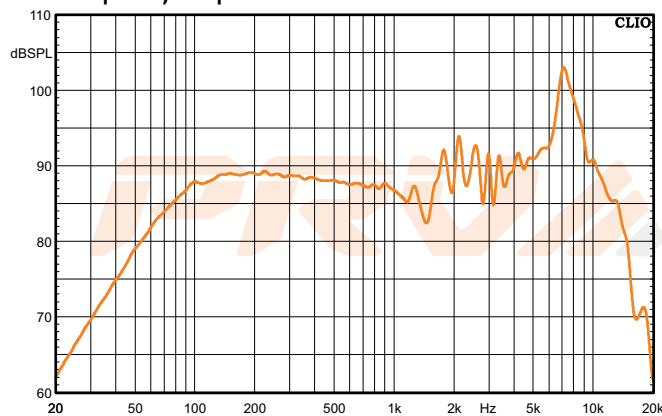
### THIELE-SMALL PARAMETERS

Equivalent Volume	Vas	3.26 l
Excursion (mathematical)***	Xmax	2.87 mm
Free Air Resonance	Fs	89.88 Hz
Mechanical Factor	Qms	7.34
Electrical Factor	Qes	0.75
Total Factor	Qts	0.68
Cone Area	Sd	57cm <sup>2</sup>
Mechanical Mass	Mms	4.32 g
Bl Factor	BL	3.42 Tm
Dc Resistance	Re	3.6 Ohms
Inductance	Le	0.20 mH at 1 kHz
Mechanical Mass Without Air	Mmd	4.07 g
Mechanical Compliance	Cms	0.725 mm/N

### EXTRA INFO

Overall Diameter	4.96" (126 mm)
Front Mount Baffle Cutout	4.02" (102 mm)
Mounting Depth	2.20" (56 mm)
Overall Depth	2.36" (60 mm)
Net Weight	1.15 Lbs (0.52 kg)
Shipping Weight	1.24 Lbs (0.56 kg)
Carton Dimensions W x L x H	4.68" x 4.68" x 3.15" (119 x 119 x 80mm)

Frequency Response Measured at 2.00v/1m



PRV AUDIO USA (USA and Export) PRV AUDIO BRAZIL (Brazilian Sales Only)  
 FORT LAUDERDALE, FL SAO LEOPOLDO, RS  
 support@prvaudio.com vendas@pvaudio.com.br  
 www.prvaudio.com www.pvaudio.com.br

\*\*\*Xmax=(Voice coil winding depth-Magnetic Gap depth)/2+ Mgnetic Gap Depth/4