

3MR40-NDY-4

Professional Mid Range Driver



KEY FEATURES

- 40 Watts Continuous Program Power
- 91 dB Sensitivity
- 120 - 20,000 Hz of frequency response



GENERAL SPECIFICATIONS

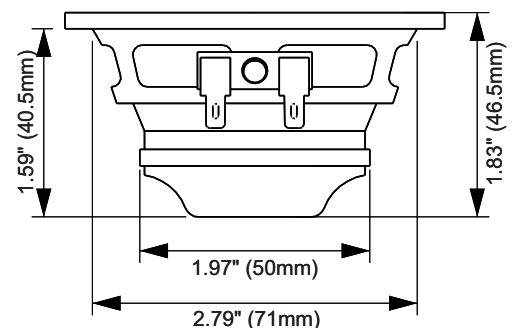
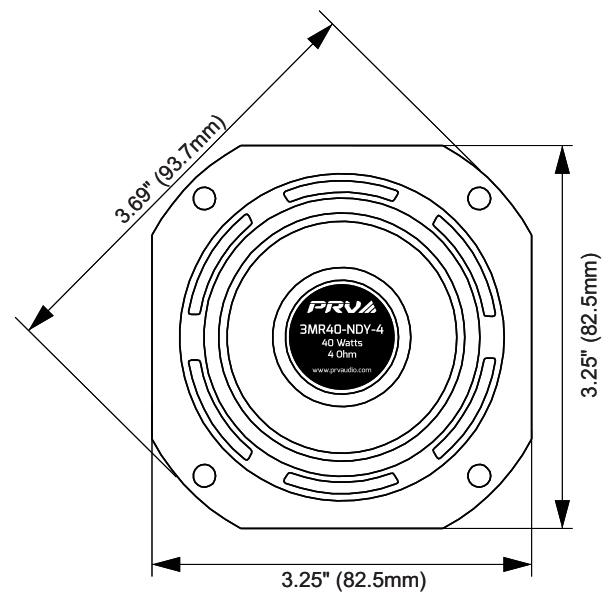
Nominal Diameter	3" (76.2 mm)
Nominal impedance	4 Ohm
Nominal Power Handling	20 Watts
Continuous Program Power (RMS)	40 Watts
Max Peak Power	80 Watts
Sensitivity 2.00V at 1m	91 dB
Recommended Hi Pass Crossover*	160 Hz*
<small>*For Full Power Handling</small>	<small>*12db Per Octave Crossover</small>
Frequency Response	120 - 20,000 Hz
Voice Coil Diameter	0.75" (19 mm)
Voice Coil Wire	CCAW
Voice Coil Winding Depth	4.8 mm
Former Material	Polyimide
Magnetic Gap Depth	4 mm
Frame Material	Stamped Steel

THIELE-SMALL PARAMETERS

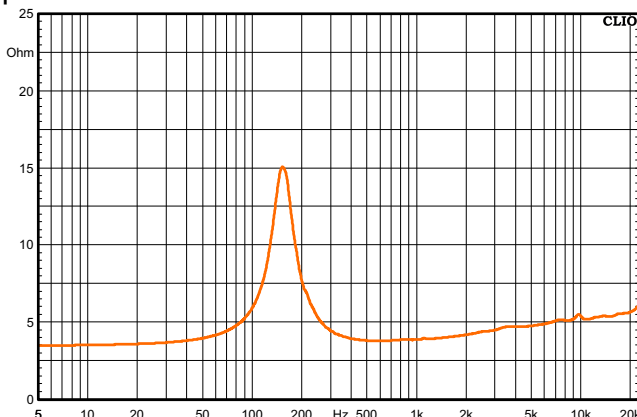
Equivalent Volume	Vas	0.63 l
Excursion (mathematical)***	Xmax	1.40 mm
Free Air Resonance	Fs	153.2 Hz
Mechanical Factor	Qms	3.41
Electrical Factor	Qes	0.99
Total Factor	Qts	0.77
Cone Area	Sd	33.2 cm ²
Mechanical Mass	Mms	2.62 g
Bl Factor	BL	2.93 Tm
Dc Resistance	Re	3.4 Ohms
Inductance	Le	0.01 mH at 1kHz
Mechanical Mass Without Air	Mmd	2.51 g
Mechanical Compliance	Cms	0.443 mm/N

EXTRA INFO

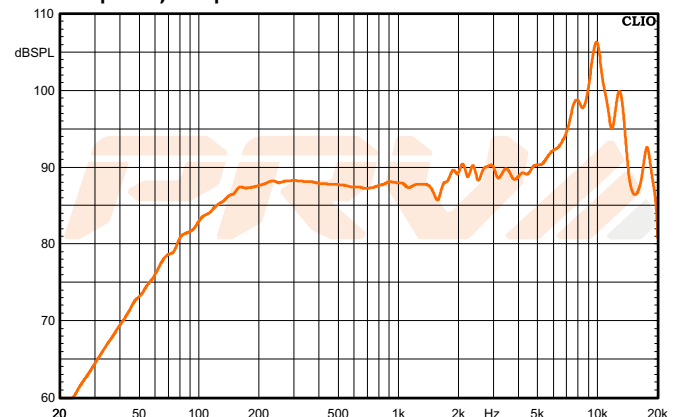
Overall Diameter	3.69" (93.7 mm)
Front Mount Baffle Cutout	2.79" (71 mm)
Mounting Depth	1.59" (40.5 mm)
Overall Depth	1.83" (46.5 mm)
Net Weight	0.51 Lb (0.23 kg)
Shipping Weight	0.55 Lb (0.25 kg)
Carton Dimensions W x L x H	4.09" x 3.54" x 2.0" (104 x 90 x 51 mm)



Impedance Curve - Free Air



Frequency Response Measured at 2.00V/1m



**Xmax=(Voice coil winding depth-Magnetic Gap depth)/2+ Magnetic Gap Depth/4
 *** T-S parameters measured after 2 hours at 1/2 Rated power, pink noise preconditioning test

PRVA AUDIO USA (USA and Export)
 POMPANO BEACH, FL
 support@prvaudio.com
 www.prvaudio.com