

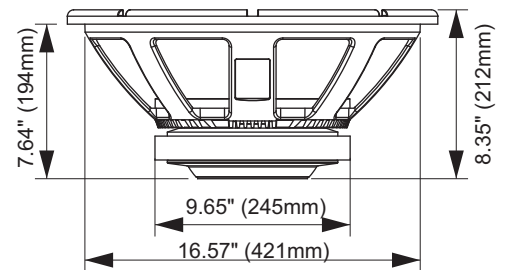
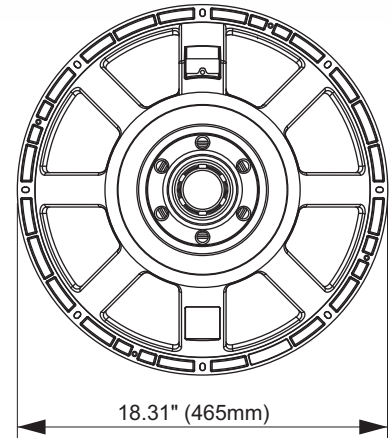
18SW3600

Professional Low Frequency Driver



KEY FEATURES

- 1800 Watts continuous power handling
- 4.5" Voice Coil
- 97 dB Sensitivity
- 35 - 1,300 Hz of frequency response



GENERAL SPECIFICATIONS

Nominal Diameter	18" (457 mm)
Nominal impedance	8 Ohms
Rated Power Handling	1800 Watts
Program Power	3600 Watts
Sensitivity 2.83 V at 1m	97 dB
Recommended Hi Pass Crossover*	45 Hz*
<small>*For Full Power Handling</small>	<small>*12db Per Octave Crossover</small>
Frequency Response at -10dB	35 - 1,300 Hz
Voice Coil Diameter	4.5" (114 mm)
Voice Coil Wire	Copper
Voice Coil Winding Depth	34.0 mm
Former Material	Glass Fiber
Magnetic Gap Depth	15.0 mm
Frame Material	Die cast aluminum

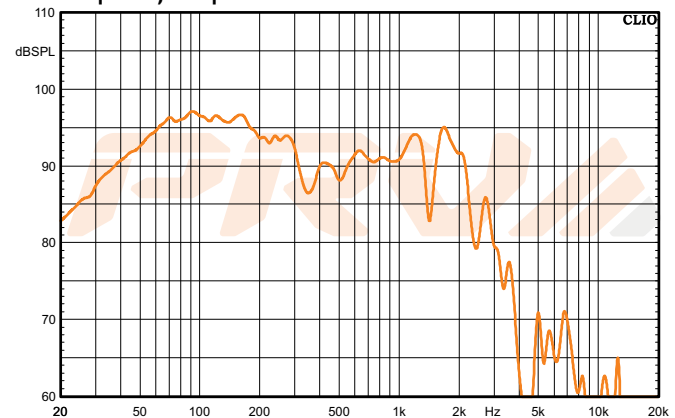
THIELE-SMALL PARAMETERS

Equivalent Volume	Vas	199.3 l
Excursion	Xmax	13.25 mm
Free Air Resonance	Fs	35.40 Hz
Mechanical Factor	Qms	9.64
Electrical Factor	Qes	0.42
Total Factor	Qts	0.40
Cone Area	Sd	1340 cm ²
Mechanical Mass	Mms	254.0 g
Bl Factor	BL	27.11 Tm
Dc Resistance	Re	5.5 Ohms
Inductance	Le	3.06 mH at 1 kHz
Mechanical Mass Without Air	Mmd	226.2 g
Mechanical Compliance	Cms	0.079 mm/N

EXTRA INFO

Overall Diameter	18.31" (465 mm)
Front Mount Baffle Cutout	16.67" (421 mm)
Mounting Depth	7.64" (194 mm)
Overall Depth	8.35" (212 mm)
Net Weight	33.40 Lbs (13.8 kg)
Shipping Weight	38.13 Lbs (17.3 kg)
Carton Dimensions W x L x H	20.27" x 11.49" x 10.24" (515 x 495 x 26 mm)

Frequency Response Measured at 2.83 V/1m



PRV AUDIO USA (USA and Export) PRV AUDIO BRAZIL (Brazilian Sales Only)
 FORT LAUDERDALE, FL SAO LEOPOLDO, RS
 support@prvaudio.com vendas@pvaudio.com.br
 www.prvaudio.com www.pvaudio.com.br

***Xmax=(Voice coil winding depth-Magnetic Gap depth)/2+ Mgnetic Gap Depth/4