

18SW2400

Professional Low Frequency Driver



KEY FEATURES

- 1200 Watts Continuous Power Handling
- 96 dB Sensitivity
- 45 - 2,200 Hz of frequency response



GENERAL SPECIFICATIONS

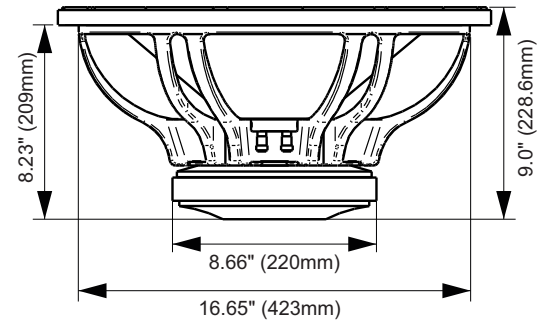
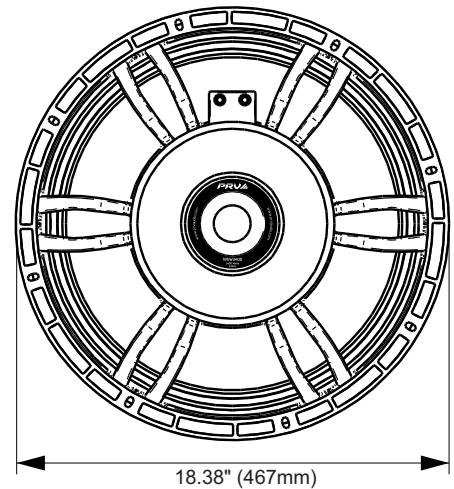
Nominal Diameter	18" (457 mm)
Nominal impedance	8 Ohm
Rated Power Handling	1200 Watts
Program Power	2400Watts
Sensitivity 2.83V at 1m	96 dB
Recommended Hi Pass Crossover*	50 Hz*
<small>*For Full Power Handling</small>	<small>*12db Per Octave Crossover</small>
Frequency Response at -10dB	45 - 2,200 Hz
Voice Coil Diameter	4" (100 mm)
Voice Coil Wire	Copper
Voice Coil Winding Depth	31.0 mm
Former Material	Glass fiber
Magnetic Gap Depth	12.0 mm
Frame Material	Die cast aluminum

THIELE-SMALL PARAMETERS

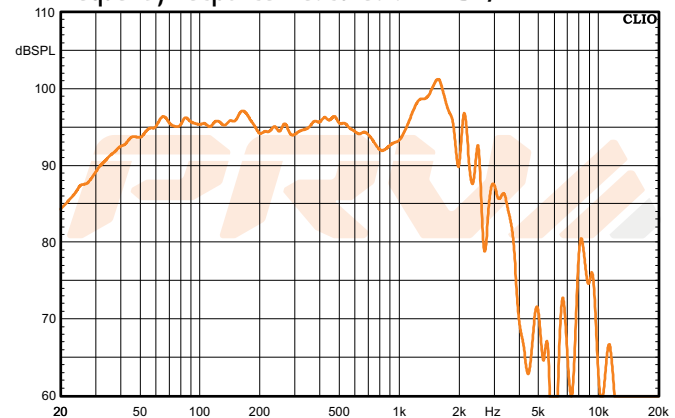
Equivalent Volume	Vas	192.8l
Excursion	Xmax	12.5 mm
Free Air Resonance	Fs	36.3 Hz
Mechanical Factor	Qms	15.57
Electrical Factor	Qes	0.58
Total Factor	Qts	0.56
Cone Area	Sd	1290 cm ²
Mechanical Mass	Mms	231.2 g
Bl Factor	BL	22.5 Tm
Dc Resistance	Re	5.6 Ohms
Inductance	Le	1.54 mH at 1 kHz
Mechanical Mass Without Air	Mmd	205 g
Mechanical Compliance	Cms	0.083 mm/N

EXTRA INFO

Overall Diameter	18.38" (467 mm)
Front Mount Baffle Cutout	16.65" (423 mm)
Mounting Depth	8.23 (209 mm)
Overall Depth	9.0" (228.6 mm)
Net Weight	28.0 Lb (12.7 kg)
Shipping Weight	31.75 Lbs (14.4 kg)
Carton Dimensions W x L x H	19.5" x 19.5" x 10.6" (495 x 495 x 270mm)



Frequency Response Measured at 2.83V/1m



PRVA AUDIO USA (USA and Export)
 FORT LAUDERDALE, FL
 support@prvaudio.com
 www.prvaudio.com

**Xmax=(Voice coil winding depth-Magnetic Gap depth)/2+ Magnetic Gap Depth/4
 *** T-S parameters measured after 2 hours at 1/2 Rated power, pink noise preconditioning test