

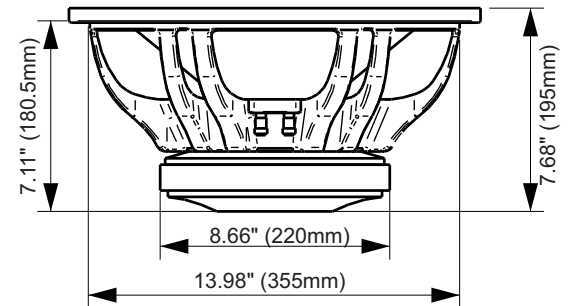
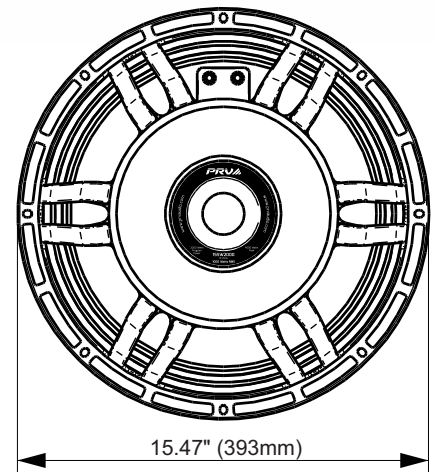
15SW2000

Professional Low Frequency Driver

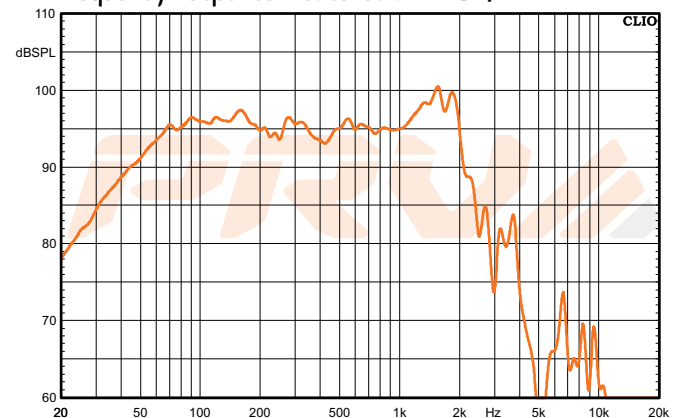


KEY FEATURES

- 4" Voice coil
- 1000 Watts continuous power handling
- 96 dB Sensitivity
- 45 - 2,300 Hz



Frequency Response Measured at 2.83V/1m



GENERAL SPECIFICATIONS

Nominal Diameter	15" (310 mm)
Nominal impedance	8 Ohms
Rated Power Handling	1,000 Watts
Program Power	2,000 Watts
Sensitivity 2.83V at 1m	96 dB
Recommended Hi Pass Crossover*	50 Hz*
<small>*For Full Power Handling</small>	<small>*12db Per Octave Crossover</small>
Frequency Response at -10dB	45 - 2,300 Hz
Voice Coil Diameter	4" (100 mm)
Voice Coil Wire	Copper
Voice Coil Winding Depth	31.0 mm
Former Material	Glass Fiber
Magnetic Gap Depth	12.0 mm
Frame Material	Die cast Aluminum

THIELE-SMALL PARAMETERS

Equivalent Volume	Vas	61.53 l
Excursion (mathematical)***	Xmax	12.5 mm
Free Air Resonance	Fs	52.9 Hz
Mechanical Factor	Qms	16.54
Electrical Factor	Qes	0.57
Total Factor	Qts	0.55
Cone Area	Sd	908 cm ²
Mechanical Mass	Mms	169.1 g
Bl Factor	BL	23.19 Tm
Dc Resistance	Re	5.5 Ohms
Inductance	Le	1.51 mH at 1 kHz
Mechanical Mass Without Air	Mmd	153.6 g
Mechanical Compliance	Cms	0.053 mm/N

EXTRA INFO

Overall Diameter	15.47" (393 mm)
Front Mount Baffle Cutout	13.98" (355 mm)
Mounting Depth	7.11" (180.5 mm)
Overall Depth	7.68" (195 mm)
Net Weight	25.90 Lbs (11.75 kg)
Shipping Weight	28.66 Lbs (13.0 kg)
Carton Dimensions W x L x H	16.73" x 16.73" x 8.66" (425 x 425 x 220mm)

***Xmax=(Voice coil winding depth-Magnetic Gap depth)/2+ Mgnetic Gap Depth/4

PRV AUDIO USA (USA and Export) PRV AUDIO BRAZIL (Brazilian Sales Only)
 FORT LAUDERDALE, FL SAO LEOPOLDO, RS
 support@prvaudio.com vendas@pvaudio.com.br
 www.prvaudio.com www.pvaudio.com.br