

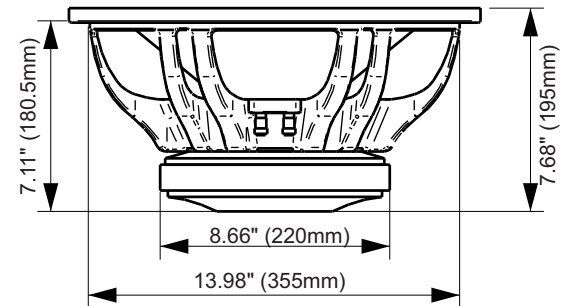
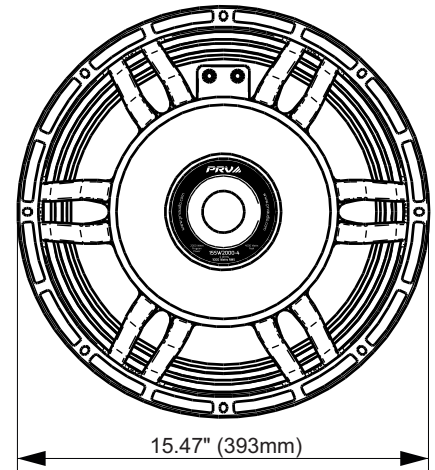
# 15SW2000-4

## Professional Low Frequency Driver

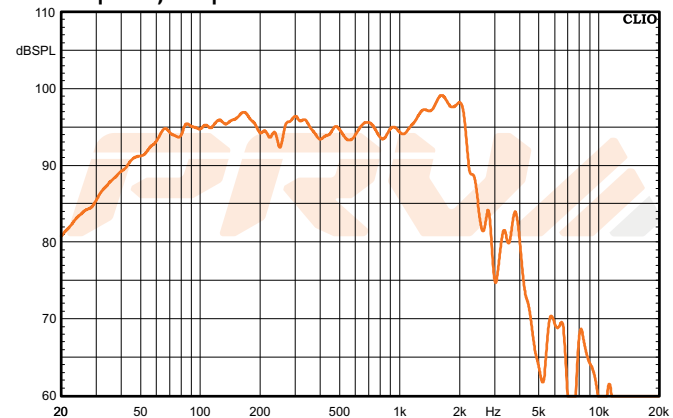


### KEY FEATURES

- 4" Voice coil
- 1000 Watts continuous power handling
- 96 dB Sensitivity
- 45 - 2,300 Hz



Frequency Response Measured at 2.00V/1m



GENERAL SPECIFICATIONS

Nominal Diameter	15" (310 mm)
Nominal impedance	4 Ohms
<b>Rated Power Handling</b>	<b>1,000 Watts</b>
Program Power	2,000 Watts
<b>Sensitivity 2.00V at 1m</b>	<b>96 dB</b>
Recommended Hi Pass Crossover*	50 Hz*
<small>*For Full Power Handling</small>	<small>*12db Per Octave Crossover</small>
<b>Frequency Response</b>	<b>45 - 2,300 Hz</b>
Voice Coil Diameter	4" (100 mm)
Voice Coil Wire	Copper
Voice Coil Winding Depth	31.0 mm
Former Material	Glass Fiber
Magnetic Gap Depth	12.0 mm
Frame Material	Die cast Aluminum

THIELE-SMALL PARAMETERS

Equivalent Volume	Vas	84.43 l
Excursion (mathematical)***	Xmax	12.5 mm
Free Air Resonance	Fs	46.8 Hz
Mechanical Factor	Qms	17.11
Electrical Factor	Qes	0.45
Total Factor	Qts	0.44
Cone Area	Sd	935 cm <sup>2</sup>
Mechanical Mass	Mms	167.1 g
Bl Factor	BL	18.29 Tm
Dc Resistance	Re	3.1 Ohms
Inductance	Le	0.94 mH at 1 kHz
Mechanical Mass Without Air	Mmd	150.9 g
Mechanical Compliance	Cms	0.069 mm/N

EXTRA INFO

Overall Diameter	15.47" (393 mm)
Front Mount Baffle Cutout	13.98" (355 mm)
Mounting Depth	7.11" (180.5 mm)
Overall Depth	7.68" (195 mm)
Net Weight	25.90 Lbs (11.75 kg)
Shipping Weight	28.66 Lbs (13.0 kg)
Carton Dimensions W x L x H	16.73" x 16.73" x 8.66" (425 x 425 x 220mm)

PRV AUDIO USA (USA and Export) PRV AUDIO BRAZIL (Brazilian Sales Only)  
 POMPANO BEACH, FL SAO LEOPOLDO, RS  
 support@prvaudio.com vendas@pvaudio.com.br  
 www.prvaudio.com www.pvaudio.com.br

\*\*\*Xmax=(Voice coil winding depth-Magnetic Gap depth)/2+ Mgnetic Gap Depth/4