

12W800A

Professional Low Frequency Driver



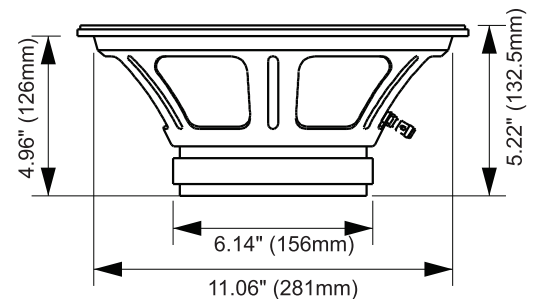
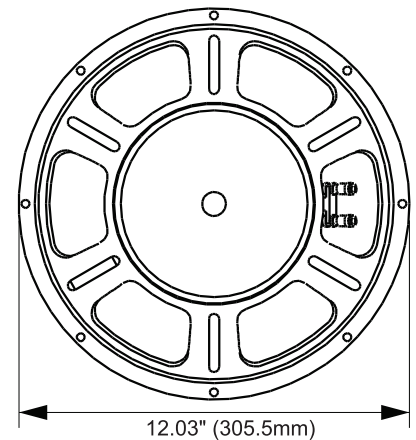
KEY FEATURES

- 2.5" Voice Coil
- 400 Watts continuous power handling
- 97 dB Sensitivity
- 55 - 5800Hz



GENERAL SPECIFICATIONS

Nominal Diameter	12" (305 mm)
Nominal impedance	8 ohms
Rated Power Handling	400 Watts
Program Power	800 Watts
Sensitivity 2.83V at 1m	97 dB
Recommended Hi Pass Crossover*	115 Hz*
<small>*For Full Power Handling</small>	<small>*12db Per Octave Crossover</small>
Frequency Response at -10dB	55 - 5,800 Hz
Voice Coil Diameter	2.5" (65 mm)
Voice Coil Wire	CCAW
Voice Coil Winding Depth	16.2 mm
Former Material	Polyimide
Magnetic Gap Depth	9.5 mm
Frame Material	Stamped Steel



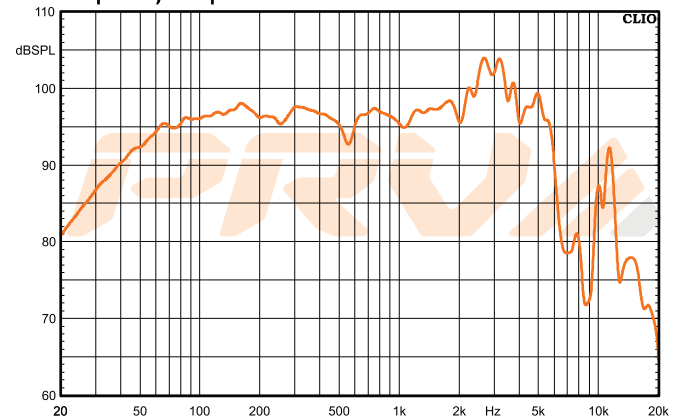
THIELE-SMALL PARAMETERS

Equivalent Volume	Vas	93.9 l
Excursion (mathematical)***	Xmax	5.72 mm
Free Air Resonance	Fs	49.8 Hz
Mechanical Factor	Qms	11.89
Electrical Factor	Qes	0.49
Total Factor	Qts	0.47
Cone Area	Sd	552 cm ²
Mechanical Mass	Mms	46.24 g
Bl Factor	BL	12.71 Tm
Dc Resistance	Re	5.5 Ohms
Inductance	Le	0.45 mH at 1 kHz
Mechanical Mass Without Air	Mmd	38.90 g
Mechanical Compliance	Cms	0.221 mm/N

EXTRA INFO

Overall Diameter	12.03" (305.5 mm)
Front Mount Baffle Cutout	11.06" (281 mm)
Mounting Depth	4.96" (126 mm)
Overall Depth	5.22" (132.5 mm)
Net Weight	10.8 Lbs (4.9 kg)
Shipping Weight	12.1 Lbs (2.29 kg)
Carton Dimensions W x L x H	13.58" x 13.58" x 7.48" (345 x 345 x 190mm)

Frequency Response Measured at 2.83V/1m



PRV AUDIO USA (USA and Export) PRV AUDIO BRAZIL (Brazilian Sales Only)
 POMPANO BEACH, FL SAO LEOPOLDO, RS
 support@prvaudio.com vendas@pvaudio.com.br
 www.prvaudio.com www.pvaudio.com.br

**Xmax=(Voice coil winding depth-Magnetic Gap depth)/2+ Mgnetic Gap Depth/4