

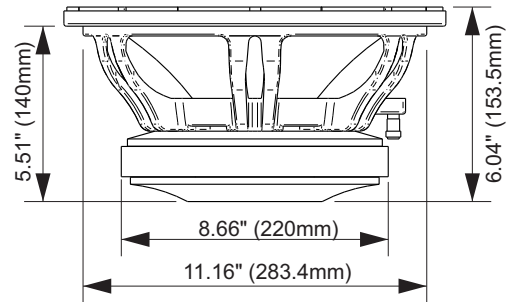
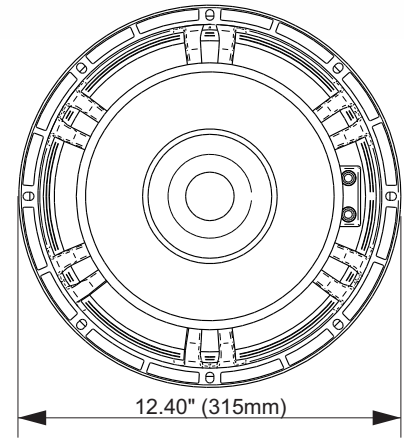
# 12W1600

Professional Low Frequency Driver



## KEY FEATURES

- 800 Watts Continuous power handling
- 4" inside outside voice coil
- 94 dB Sensitivity
- 55 - 2,500 Hz of Frequency response



GENERAL SPECIFICATIONS

Nominal Diameter	12" (305 mm)
Nominal impedance	8 Ohms
<b>Rated Power Handling</b>	<b>800 Watts</b>
Program Power	1600 Watts
<b>Sensitivity 2.83 V at 1m</b>	<b>94 dB</b>
Recommended Hi Pass Crossover*	60 Hz*
<small>*For Full Power Handling</small>	<small>*12db Per Octave Crossover</small>
<b>Frequency Response at -10dB</b>	<b>55 - 2,500 Hz</b>
Voice Coil Diameter	4" (100 mm)
Voice Coil Wire	Copper
Voice Coil Winding Depth	27.0 mm
Former Material	Glass Fiber
Magnetic Gap Depth	12.0 mm
Frame Material	Die cast aluminum

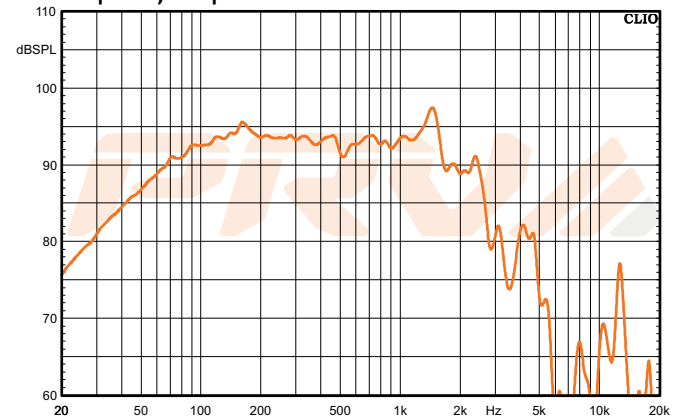
THIELE-SMALL PARAMETERS

Equivalent Volume	Vas	46.99 l
Excursion	Xmax	10.50 mm
Free Air Resonance	Fs	51.22 Hz
Mechanical Factor	Qms	14.98
Electrical Factor	Qes	0.40
Total Factor	Qts	0.39
Cone Area	Sd	594 cm <sup>2</sup>
Mechanical Mass	Mms	101.16 g
Bl Factor	BL	20.35 Tm
Dc Resistance	Re	5.1 Ohms
Inductance	Le	1.26 mH at 1 kHz
Mechanical Mass Without Air	Mmd	92.97 g
Mechanical Compliance	Cms	0.095 mm/N

EXTRA INFO

Overall Diameter	12.40" (315 mm)
Front Mount Baffle Cutout	11.16" (283.4 mm)
Mounting Depth	5.51" (140 mm)
Overall Depth	6.04" (153.5 mm)
Net Weight	24.22 Lbs (11.0 kg)
Shipping Weight	26.01.Lbs (11.80 kg)
Carton Dimensions W x L x H	13.38" x 13.38" x 6.69" (340 x 340 x 170 mm)

Frequency Response Measured at 2.83 V/1m



PRV AUDIO USA (USA and Export) PRV AUDIO BRAZIL (Brazilian Sales Only)  
 FORT LAUDERDALE, FL SAO LEOPOLDO, RS  
 support@prvaudio.com vendas@pvaudio.com.br  
 www.prvaudio.com www.pvaudio.com.br

\*\*\*Xmax=(Voice coil winding depth-Magnetic Gap depth)/2+ Mgnetic Gap Depth/4