

12SW6000BP-2

Professional Low Frequency Driver



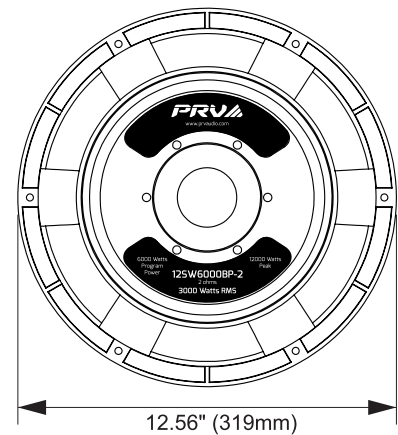
KEY FEATURES

- Double Magnet assembly
- 3000 Watts continuous power handling
- 92.5 dB Sensitivity
- 4" Voice coil



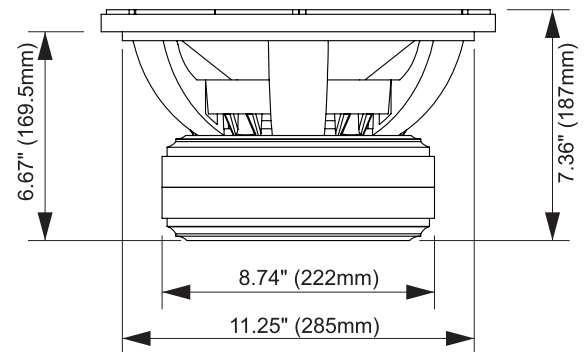
GENERAL SPECIFICATIONS

Nominal Diameter	12" (305 mm)
Nominal impedance	2 ohms
Rated Power Handling	3000 Watts
Program Power	6000 Watts
Sensitivity 1.41 V at 1m	92.5 dB
Recommended (HPF) High Pass Crossover* *For Full Power Handling	70 Hz* BT24 *12db Per Octave Butterworth Crossover
Recommended (LPF) Low Pass Crossover* *For Full Power Handling	300 Hz* BT24 *12db Per Octave Butterworth Crossover
Frequency Response at -10dB	75 - 2,500 Hz
Voice Coil Diameter	4" (100 mm)
Voice Coil Wire	CCAW
Voice Coil Winding Depth	28.0 mm
Former Material	Kapton
Magnetic Gap Depth	13.0 mm
Frame Material	Die cast aluminum



THIELE-SMALL PARAMETERS

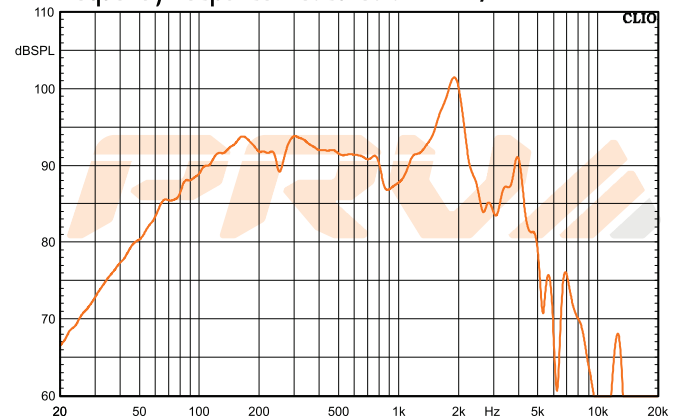
Equivalent Volume	Vas	9.2 l
Excursion (mathematical)**	Xmax	10.75 mm
Free Air Resonance	Fs	81.79 Hz
Mechanical Factor	Qms	5.44
Electrical Factor	Qes	0.51
Total Factor	Qts	0.47
Cone Area	Sd	531 cm ²
Mechanical Mass	Mms	161.9 g
Bl Factor	BL	15.57 Tm
Dc Resistance	Re	1.5 Ohms
Inductance	Le	0.38 mH at 1 kHz
Mechanical Mass Without Air	Mmd	155.0 g
Mechanical Compliance	Cms	0.023 mm/N



EXTRA INFO

Overall Diameter	12.56" (319 mm)
Front Mount Baffle Cutout	11.25" (285 mm)
Mounting Depth	6.67" (169.5 mm)
Overall Depth	7.36" (187 mm)
Net Weight	45.2 Lbs (20.5 kg)
Shipping Weight	47.4 Lbs (21.5 kg)
Carton Dimensions W x L x H	14.17" x 14.17" x 8.27" (360 x 360 x 210mm)

Frequency Response Measured at 1.41 V/1m



PRV AUDIO USA (USA and Export) PRV AUDIO BRAZIL (Brazilian Sales Only)
 POMPANO BEACH, FL SAO LEOPOLDO, RS
 support@prvaudio.com vendas@pvaudio.com.br
 www.prvaudio.com www.pvaudio.com.br

**Xmax=(Voice coil winding depth-Magnetic Gap depth)/2+ Mgnetic Gap Depth/4

*** T-S parameters measured after 2 hours at 1/2 Rated power, pink noise preconditioning test