

# 12MB1000FT

Professional Mid Bass Driver



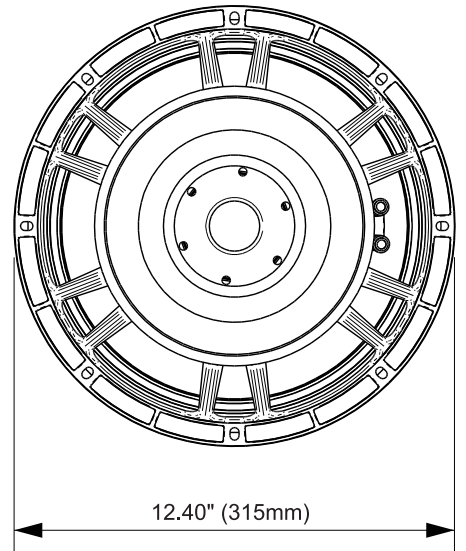
## KEY FEATURES

- 3" Voice coil
- 500 Watts nominal power handling
- 97.5 dB Sensitivity
- 70 - 3,200 Hz



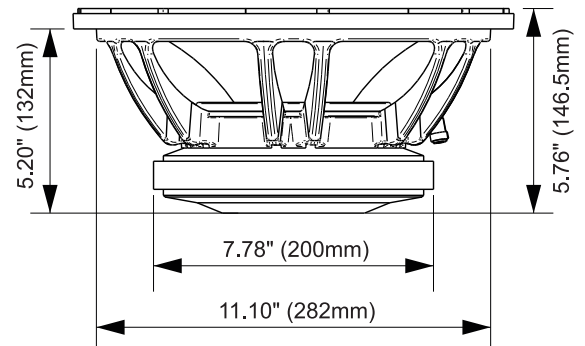
GENERAL SPECIFICATIONS

Nominal Diameter	12" (310 mm)
Nominal impedance	8 Ohm
<b>Nominal Power Handling</b>	<b>500 Watts</b>
Continuous Program Power (RMS)	1000 Watts
Max Peak Power	2000 Watts
<b>Sensitivity 2.83V at 1m</b>	<b>97.5 dB</b>
Recommended Hi Pass Crossover*	110 Hz*
<small>*For Full Power Handling</small>	<small>*12db Per Octave Crossover</small>
<b>Frequency Response</b>	<b>70 - 3,200 Hz</b>
Voice Coil Diameter	3" (76 mm)
Voice Coil Wire	Aluminum
Voice Coil Winding Depth	19.0 mm
Former Material	Glass Fiber
Magnetic Gap Depth	10.5 mm
Frame Material	Die cast Aluminum



THIELE-SMALL PARAMETERS

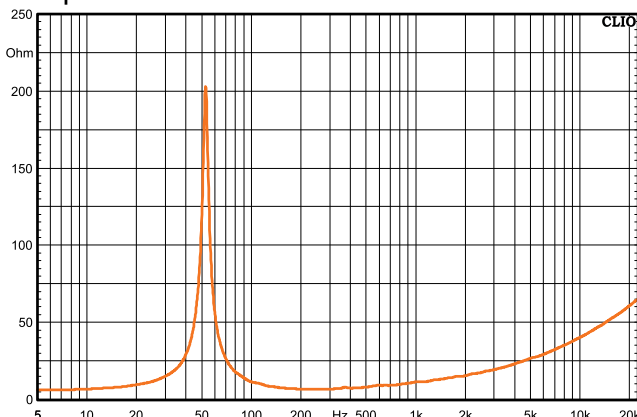
Equivalent Volume	Vas	74.57 l
Excursion (mathematical)***	Xmax	6.87 mm
Free Air Resonance	Fs	52.72 Hz
Mechanical Factor	Qms	13.35
Electrical Factor	Qes	0.38
Total Factor	Qts	0.37
Cone Area	Sd	573 cm <sup>2</sup>
Mechanical Mass	Mms	55.94 g
Bl Factor	BL	16.54 Tm
Dc Resistance	Re	5.7 Ohm
Inductance	Le	1.00 mH at 1 kHz
Mechanical Mass Without Air	Mmd	48.19 g
Mechanical Compliance	Cms	0.162 mm/N



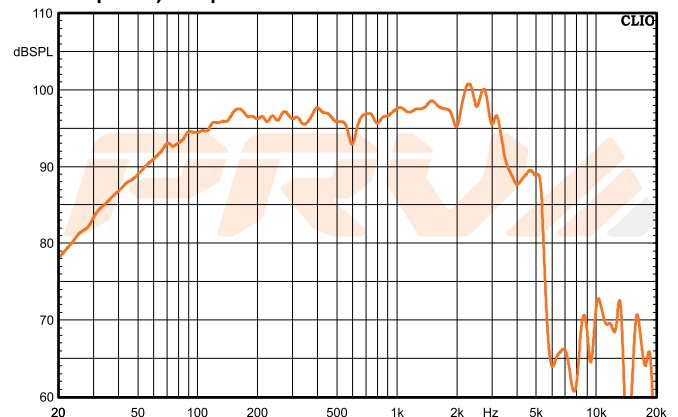
EXTRA INFO

Overall Diameter	12.40" (315 mm)
Front Mount Baffle Cutout	11.10" (282 mm)
Mounting Depth	5.20" (132 mm)
Overall Depth	5.76" (146.5 mm)
Net Weight	16.8 Lbs (7.62 kg)
Shipping Weight	18.2 Lbs (8.25 kg)
Carton Dimensions W x L x H	13.5" x 13.5" x 7" (343 x 343 x 178mm)

Impedance Curve - Free Air



Frequency Response Measured at 2.83V/1m



PRV AUDIO USA (USA and Export) PRV AUDIO BRAZIL (Brazilian Sales Only)  
 POMPANO BEACH, FL SAO LEOPOLDO, RS  
 support@prvaudio.com vendas@pvaudio.com.br  
 www.prvaudio.com www.pvaudio.com.br

\*\*\*Xmax=(Voice coil winding depth-Magnetic Gap depth)/2+ Magnetic Gap Depth/4