

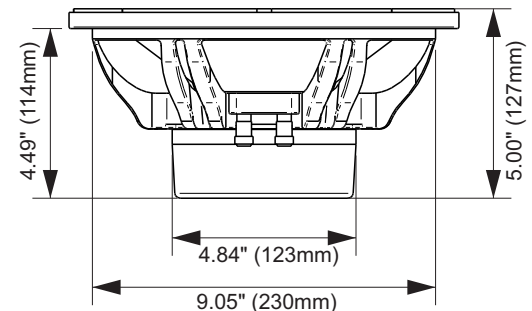
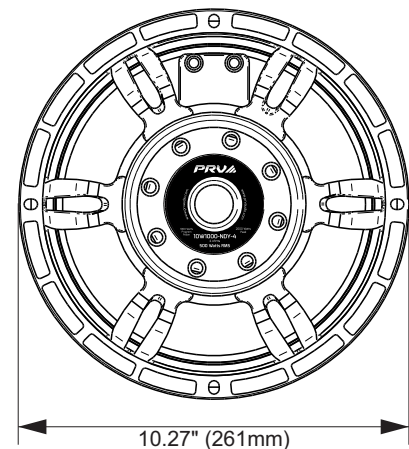
10W1000-NDY-4

Professional Low Frequency Driver

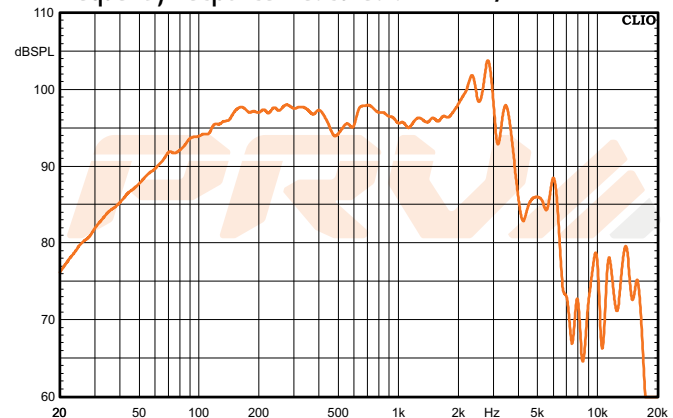


KEY FEATURES

- 500 Watts continuous power handling
- 97 dB Sensitivity
- 50 - 5,000 Hz of frequency response
- Lightweight neodymium magnet



Frequency Response Measured at 2.00 V/1m



GENERAL SPECIFICATIONS

Nominal Diameter	10" (254 mm)
Nominal impedance	4 Ohms
Rated Power Handling	500 Watts
Program Power	1000 Watts
Sensitivity 2.00 V at 1m	97 dB
Recommended Hi Pass Crossover*	80 Hz*
<small>*For Full Power Handling</small>	<small>*12db Per Octave Crossover</small>
Frequency Response at -10dB	50- 5,000 Hz
Voice Coil Diameter	3.0" (76 mm)
Voice Coil Wire	CCAW
Voice Coil Winding Depth	18.0 mm
Former Material	Fiber Glass
Magnetic Gap Depth	10.0 mm
Frame Material	Die cast aluminum

THIELE-SMALL PARAMETERS

Equivalent Volume	Vas	46.36 l
Excursion	Xmax	6.5 mm
Free Air Resonance	Fs	50.19 Hz
Mechanical Factor	Qms	8.37
Electrical Factor	Qes	0.28
Total Factor	Qts	0.27
Cone Area	Sd	380 cm ²
Mechanical Mass	Mms	43.36 g
Bl Factor	BL	12.03 Tm
Dc Resistance	Re	3.0 Ohms
Inductance	Le	0.47 mH at 1 kHz
Mechanical Mass Without Air	Mmd	39.17 g
Mechanical Compliance	Cms	0.232 mm/N

EXTRA INFO

Overall Diameter	10.27" (261 mm)
Front Mount Baffle Cutout	9.05" (230 mm)
Mounting Depth	4.49" (114 mm)
Overall Depth	5.00" (127 mm)
Net Weight	8.38 Lbs (3.8 kg)
Shipping Weight	9.70 Lbs (4.4 kg)
Carton Dimensions W x L x H	11.2" x 11.2" x 5.71" (285 x 285 x 145 mm)

**Xmax=(Voice coil winding depth-Magnetic Gap depth)/2+ Mgnetic Gap Depth/4

*** T-S parameters measured after 2 hours at 1/2 Rated power, pink noise preconditioning test

PRV AUDIO USA (USA and Export) PRV AUDIO BRAZIL (Brazilian Sales Only)
 POMPANO BEACH, FL SAO LEOPOLDO, RS
 support@prvaudio.com vendas@pvaudio.com.br
 www.prvaudio.com www.pvaudio.com.br