

# 10MR1000 PRO

Professional Mid Range Driver



## KEY FEATURES

- 3" Voice coil
- 1000 Watts continuous program power
- 100 dB Sensitivity
- 75 - 6,000 Hz



## GENERAL SPECIFICATIONS

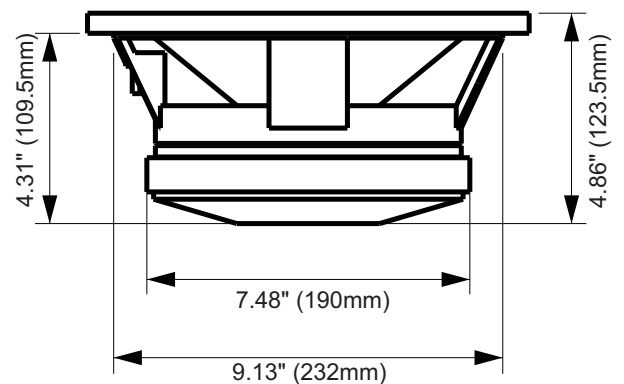
Nominal Diameter	10" (254 mm)
Nominal impedance	8 Ohm
<b>Nominal Power Handling</b>	<b>500 Watts</b>
Continuous Program Power (RMS)	1000 Watts
Max Peak Power	2000 Watts
<b>Sensitivity 2.83V at 1m</b>	<b>100 dB</b>
Recommended Hi Pass Crossover*	150 Hz*
<small>*For Full Power Handling</small>	<small>*12db Per Octave Crossover</small>
<b>Frequency Response</b>	<b>75 - 6,000 Hz</b>
Voice Coil Diameter	3" (75 mm)
Voice Coil Wire	Copper
Voice Coil Winding Depth	9.2 mm
Former Material	Glass fiber
Magnetic Gap Depth	8.0 mm
Frame Material	Die Cast Aluminum



10.23" (260mm)

## THIELE-SMALL PARAMETERS

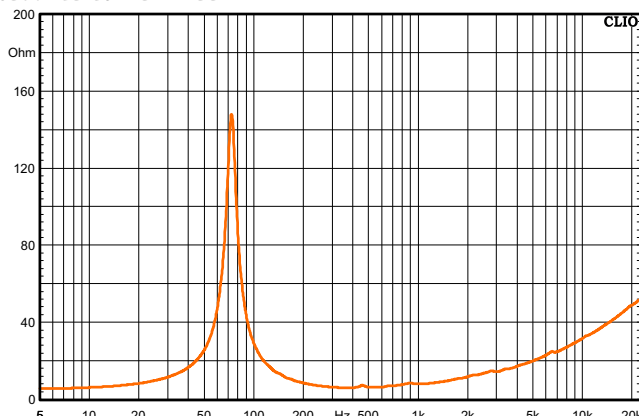
Equivalent Volume	Vas	26.1l
Excursion (mathematical)***	Xmax	2.60 mm
Free Air Resonance	Fs	73.20 Hz
Mechanical Factor	Qms	7.94
Electrical Factor	Qes	0.28
Total Factor	Qts	0.27
Cone Area	Sd	391 cm <sup>2</sup>
Mechanical Mass	Mms	32.94 g
Bl Factor	Bl	17.90 Tm
Dc Resistance	Re	5.0 Ohm
Inductance	Le	0.48 mH at 1 kHz
Mechanical Mass Without Air	Mmd	34.26 g
Mechanical Compliance	Cms	0.122 mm/N



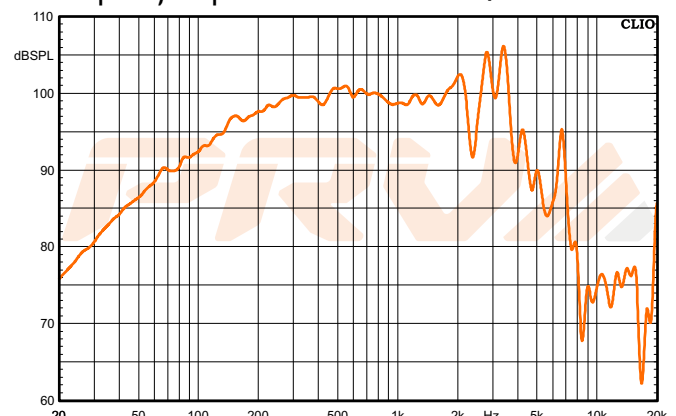
## EXTRA INFO

Overall Diameter	10.23" (260 mm)
Front Mount Baffle Cutout	9.13" (232 mm)
Mounting Depth	4.31" (109.5 mm)
Overall Depth	4.86" (123.5 mm)
Net Weight	15.65 Lbs (7.1 kg)
Shipping Weight	16.75 Lbs (7.6 kg)
Carton Dimensions W x L x H	11.42" x 11.42" x 5.90" (290 x 290 x 150 mm)

Impedance Curve - Free Air



Frequency Response Measured at 2.83V/1m



\*\*Xmax=(Voice coil winding depth-Magnetic Gap depth)/2+ Magnetic Gap Depth/4  
 \*\*\* T-S parameters measured after 2 hours at 1/2 Rated power, pink noise preconditioning test

PRV AUDIO USA (USA and Export)  
 POMPANO BEACH, FL  
 support@prvaudio.com  
 www.prvaudio.com